

Model: D4DH-250 X

Data

Type: Semi-hermetic piston compressors

Producer: Copeland

Series: DISCUS

Model: D4DH-250 X

Technical data

Cylinder count:	4
Displacement [m ³ /h]:	70,8
Weight [kg]:	225
Oil charge [dm ³]:	4
Max. operating current [A]:	41,5
Locked rotor current [A]:	192
Power supply [V/~/Hz]:	380-420V/3/50Hz

Connections

	<u>milimeters</u>	<u>inches</u>
Suction line:		2 1/8"
Discharge line:		1 1/8"

Model: D4DH-250 X

Capacity

R404A/R507

Cooling capacity [kW]

$t_c \setminus t_e$	-35	-30	-25	-20	-15	-10	-5	0	5
20	17.88	23.14	29.45	36.91	45.64	55.76	67.39	80.64	95.63
25	16.33	21.36	27.34	34.41	42.66	52.23	63.22	75.76	89.97
30	14.79	19.56	25.22	31.87	39.64	48.64	59.00	70.82	84.23
35	13.25	17.76	23.07	29.31	36.58	45.02	54.72	65.82	78.42
40	-	15.95	20.91	26.72	33.49	41.34	50.39	60.75	72.54
45	-	14.13	18.74	24.12	30.37	37.63	46.01	55.62	66.59
50	-	12.32	16.56	21.49	27.23	33.89	41.58	50.44	60.57
55	-	10.51	14.38	18.85	24.06	30.11	37.12	45.21	54.50

Power input [kW]

$t_c \setminus t_e$	-35	-30	-25	-20	-15	-10	-5	0	5
20	7.85	8.82	9.72	10.50	11.08	11.39	11.38	10.97	10.11
25	8.06	9.18	10.26	11.24	12.05	12.64	12.93	12.86	12.36
30	8.20	9.44	10.69	11.86	12.90	13.75	14.33	14.57	14.43
35	8.26	9.62	11.02	12.37	13.63	14.72	15.57	16.13	16.33
40	-	9.72	11.25	12.78	14.24	15.56	16.68	17.54	18.06
45	-	9.75	11.41	13.09	14.74	16.28	17.65	18.79	19.63
50	-	9.71	11.48	13.31	15.13	16.88	18.50	19.91	21.06
55	-	9.62	11.48	13.44	15.43	17.38	19.22	20.89	22.33

Model: D4DH-250 X

Capacity

Current [A]

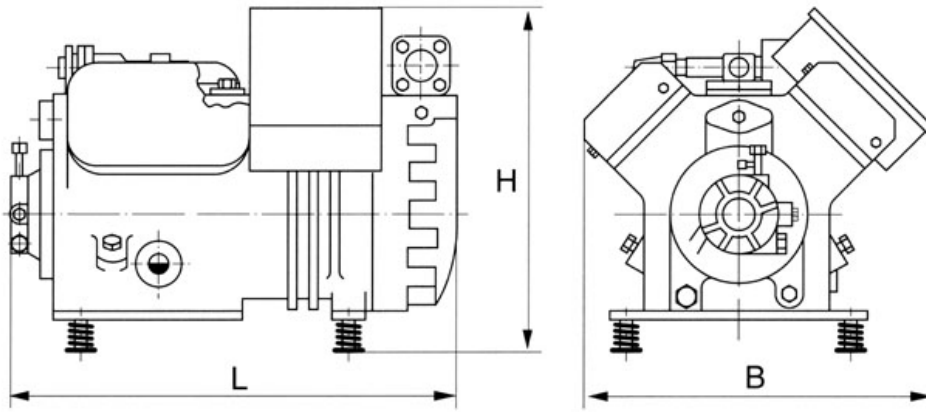
$t_c \setminus t_e$	-35	-30	-25	-20	-15	-10	-5	0	5
20	18.63	19.61	20.61	21.54	22.29	22.77	22.87	22.50	21.56
25	18.89	20.04	21.24	22.40	23.42	24.20	24.64	24.65	24.11
30	19.08	20.38	21.78	23.18	24.47	25.55	26.33	26.71	26.59
35	19.18	20.65	22.25	23.87	25.43	26.82	27.94	28.70	28.98
40	-	20.83	22.63	24.49	26.32	28.01	29.47	30.60	31.29
45	-	20.94	22.93	25.02	27.12	29.12	30.92	32.42	33.52
50	-	20.96	23.15	25.48	27.84	30.14	32.28	34.16	35.67
55	-	20.90	23.29	25.85	28.48	31.09	33.56	35.81	37.74

Mass flow [kg/s]

$t_c \setminus t_e$	-35	-30	-25	-20	-15	-10	-5	0	5
20	385.49	511.33	656.00	825.10	1 024.19	1 258.88	1 534.74	1 857.35	2 232.30
25	372.95	496.40	638.94	806.16	1 003.64	1 236.97	1 511.73	1 833.50	2 207.87
30	357.71	478.91	619.46	784.95	980.96	1 213.08	1 486.88	1 807.96	2 181.89
35	340.01	459.11	597.82	761.73	956.41	1 187.46	1 460.46	1 780.98	2 154.62
40	-	437.26	574.27	736.74	930.25	1 160.37	1 432.71	1 752.83	2 126.32
45	-	413.61	549.07	710.25	902.72	1 132.07	1 403.89	1 723.75	2 097.25
50	-	388.42	522.48	682.51	874.09	1 102.81	1 374.25	1 694.00	2 067.64
55	-	361.94	494.74	653.77	844.61	1 072.85	1 344.06	1 663.84	2 037.77

Model: D4DH-250 X

Dimensions



L	670 mm
B	535 mm
H	495 mm

Model: D4DH-250 X

Image

